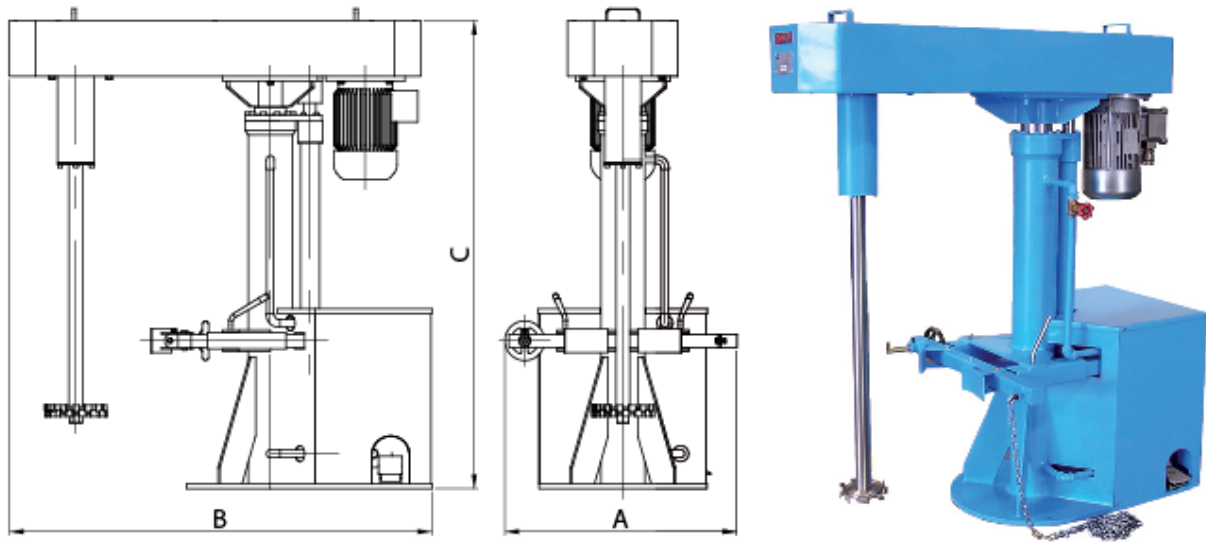




P-Mix Dispersing and Mixer for Production

Hydrau-Matic Series



Suitable for small-medium container size 50-200 liters and Low-medium viscosity

- ❖ Lift up & down by hydrau-matic system
- ❖ Alternative Saving cost comparing to explosion proof motor

Option

- Explosion proof type of motor and control panel
- Digital Speed Display
- Available move head

Model	Motor (HP)	Speed (rpm)	Mixing Cap (liters)	Impeller (mm)	Stroke (mm)	A Width (mm)	B Length (mm)	C Height (mm)	Height+ Stroke (mm)	Weight (Kg)
P-Mix 3 AP/3 AP Ex	3	0 - 3000	150	125	1000	735	1300	1480	2480	
P-Mix 5 AP/5 AP Ex	5	0 - 3000	200	150	1170	735	1585	1670	2840	

P.General Products : 234 Moo.5,Prakasa Road.,Prakasa,Muang,Samutprakarn 10280 Thailand.

Tel:(662)728-5246-8 Fax:(662)728-5249

E-mail:info@p-general.com